

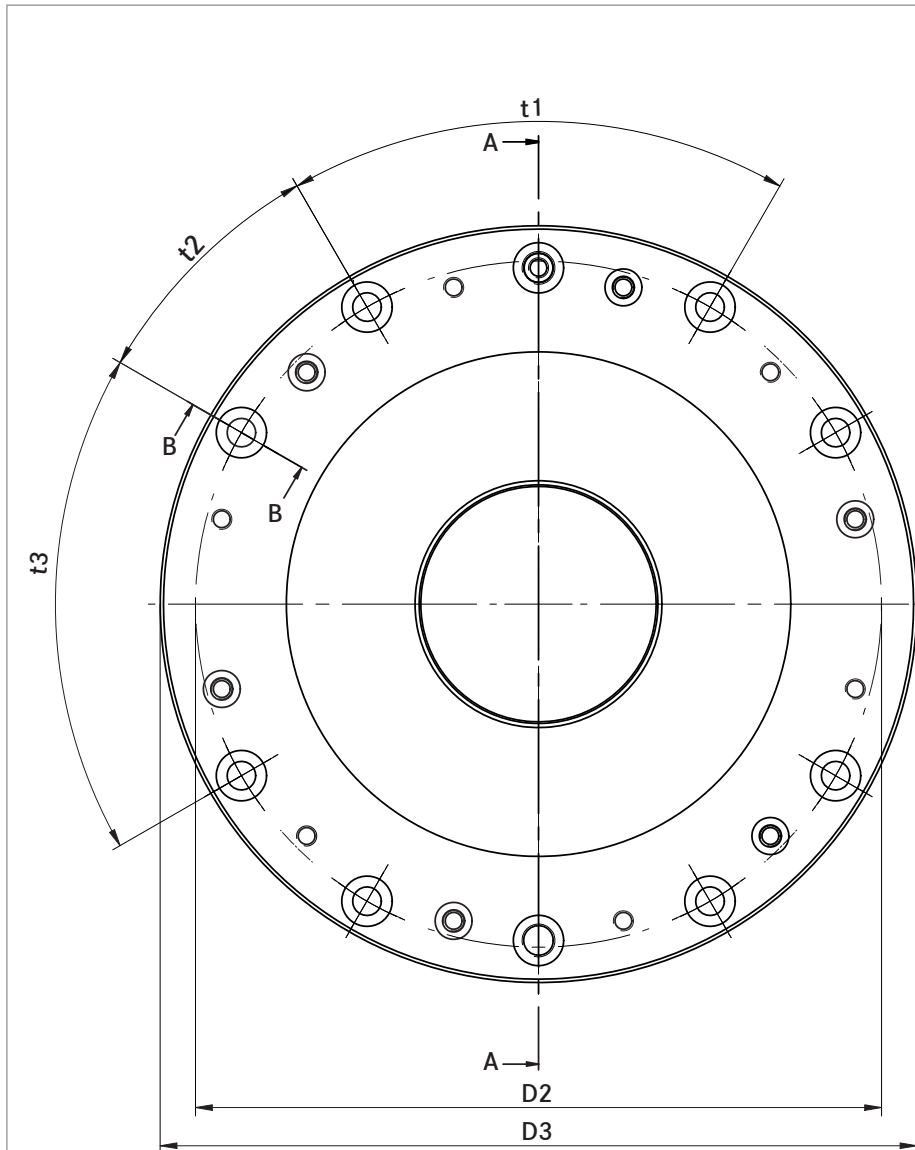
ROTOCLAMP INSIDE L STANDARD



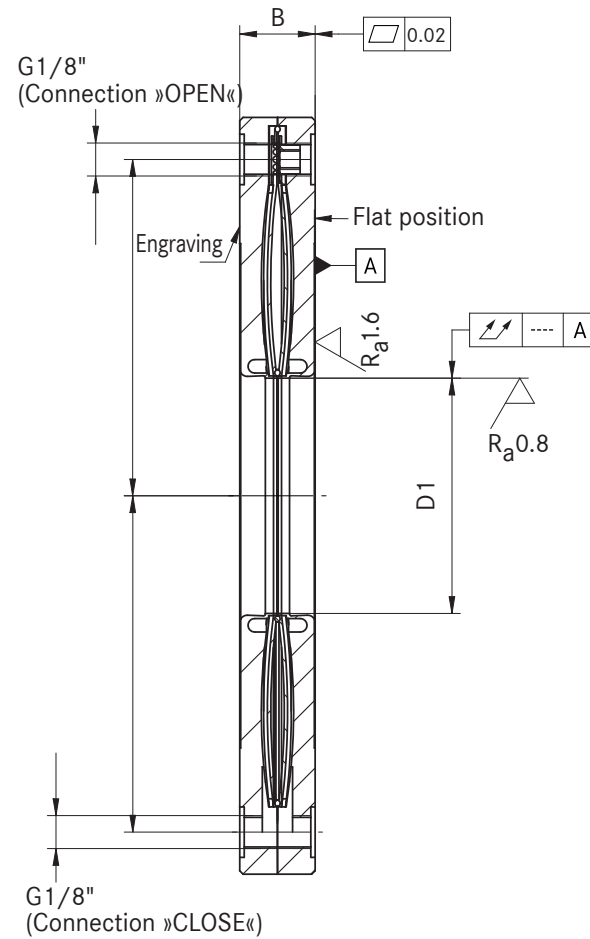
Size	D1 opened rated pressure Pn = 4 bar or 6 bar	Required shaft diameter	D2	D3	B	E	F	n Number of fixing screws	a	t1	t2	t3	Elastic holding torque Pn 0 bar at 0 bar	Elastic holding torque Pn = 4 bar Booster at 4 bar	Mass max.	Air requirement per stroke max.
Unit	[mm]	[mm]	[mm]	[mm]	[mm]	[mm]	[mm]	Quantity	[mm]	[°]	[°]	[°]	[Nm]	[Nm]	[kg]	[mL]
Tolerance	+0.04/+0.06	-0.01/-0.025	± 0.1		+0.4											
Roundness	0.01	0.01														
Surface finish	R _a 0.8 μm	R _a 0.8 μm														
RC 70 L	70	70	204	225	22	100	100	8xM8	6	60	30	60	114	210	6.2	50
RC 140 L	140	140	274	295	22	135	135	16xM8	6	30	15	30	456	840	9.1	100
RC 180 L	180	180	314	335	22	155	155	22xM8	6	30	15	15	750	1380	10.8	100
Tolerance	+0.05/+0.07	-0.01/-0.03	± 0.2		+0.4											
Roundness	0.01	0.01														
Surface finish	R _a 0.8 μm	R _a 0.8 μm														
RC 200 L	200	200	334	355	22	165	165	22xM8	6	30	15	15	930	1680	11.7	100
RC 240 L	240	240	374	395	22	185	185	34xM8	6	20	10	10	1350	2400	13.3	150
RC 280 L	280	280	414	435	22	205	205	34xM8	6	20	10	10	1800	3240	14.9	150
RC 320 L	320	320	454	475	22	225	225	34xM8	6	20	10	10	2340	4200	16.7	150
RC 340 L	340	340	474	495	22	235	235	34xM8	6	20	10	10	2580	4680	17.5	150

When ordering, please specify »4 bar« or »6 bar« and »with or without booster«. Technical data applies to RotoClamp Inside L Standard. Holding torque for tandem version: Values factor 1.8. Subject to changes and errors, the respective written order confirmation applies.

ROTOCLAMP INSIDE L STANDARD



Profile A-A



Profile B-B

