

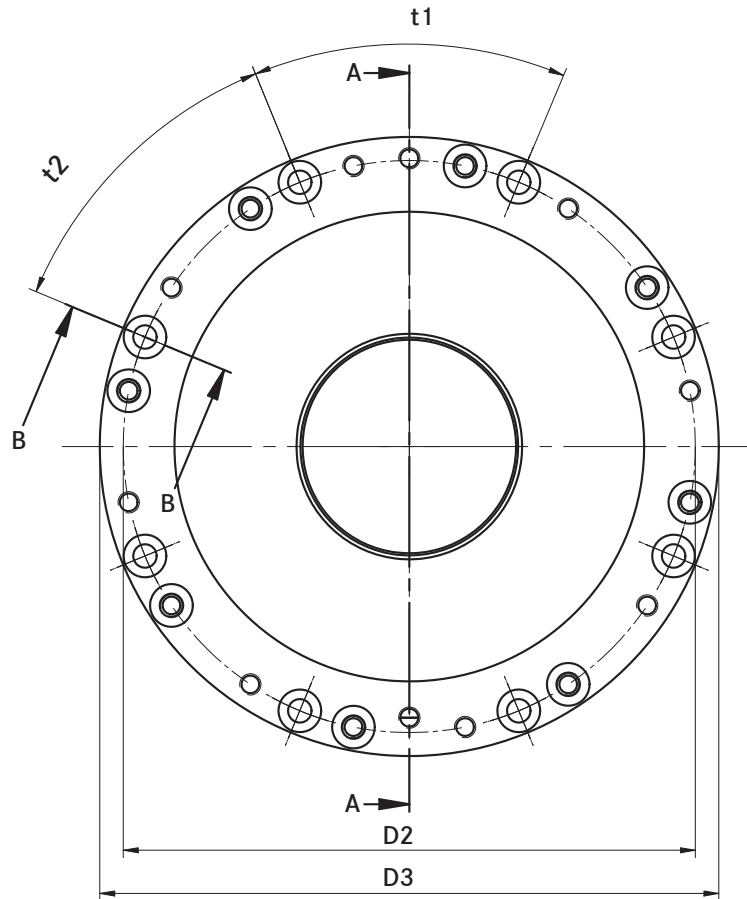
# ROTOCLAMP INSIDE S AKTIV



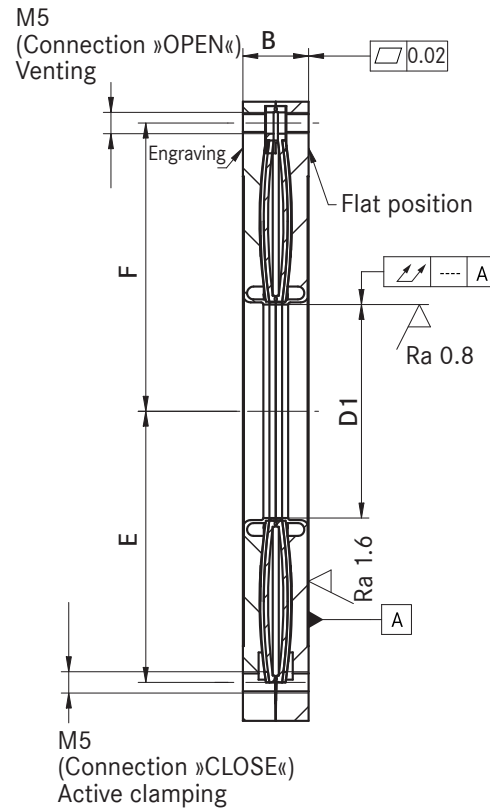
Size	D1 opened rated pressure  Pn = 0 bar	Required shaft diameter	D2	D3	B	E	F	n Number of fixing screws	a	t1	t2	Elastic holding torque Pn = 6 bar  at 6 bar	Elastic holding torque Pn = 4 bar  at 4 bar	Mass max.	Air requirement per stroke max.
Unit	[mm]	[mm]	[mm]	[mm]	[mm]	[mm]	[mm]	Quantity	[mm]	[°]	[°]	[Nm]	[Nm]	[kg]	[mL]
Tolerance	+0.01/+0.02	-0.01/-0.02	± 0.1		+0.4										
Roundness	0.01	0.01													
Surface finish	R <sub>a</sub> 0.8 μm	R <sub>a</sub> 0.8 μm													
RC 50 SA	50	50	134	145	15	63.5	67.5	8xM5	4	45	45	60	42	1.7	20
RC 60 SA	60	60	144	155	15	68.5	72.5	8xM5	4	45	45	84	59	1.9	20
RC 65 SA	65	65	149	160	15	71	75	8xM5	4	45	45	99	69	2.1	20
RC 70 SA	70	70	154	165	15	73.5	77.5	12xM5	4	30	30	114	80	2.1	20
RC 75 SA	70	70	159	170	15	76	80	12xM5	4	30	30	132	92	2.1	20
RC 80 SA	80	80	164	175	15	78.5	82.5	12xM5	4	30	30	150	105	2.3	20
RC 90 SA	90	90	174	185	15	83.5	87.5	12xM5	4	30	30	189	132	2.5	20

When ordering, please specify »4 bar« or »6 bar« and »with or without booster«. Technical data applies to RotoClamp Inside S Active.  
Holding torque for tandem version: Values factor 1.8. Subject to changes and errors, the respective written order confirmation applies.

# ROTOCLAMP INSIDE S AKTIV



**Profile A-A**



**Profile B-B**

