

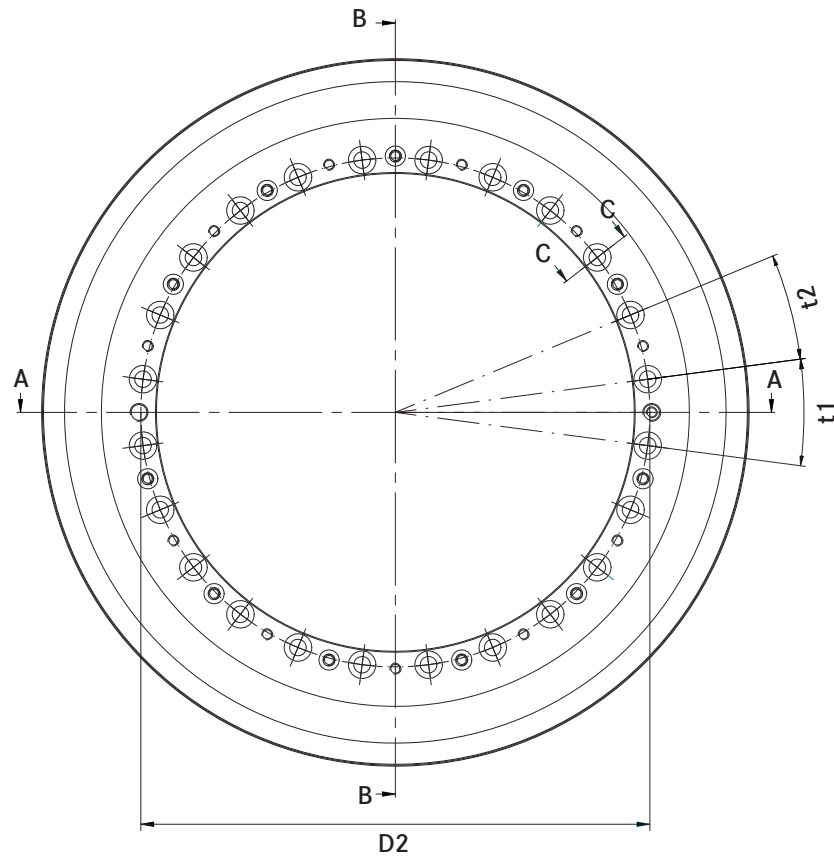
ROTOCLAMP OUTSIDE N ACTIVE



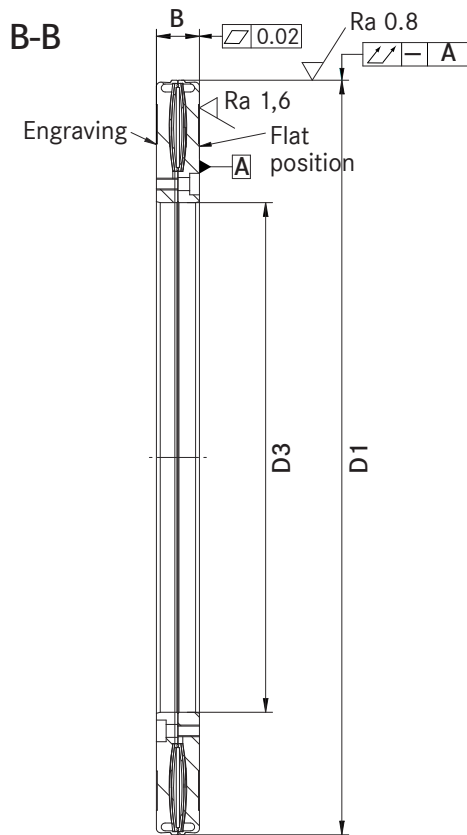
Size	D1 opened rated pressure Pn = 0 bar	Required shaft diameter	D2	D3	B	E	F	n Number of fixing screws	a	t1	t2	Elastic holding torque Pn = 6 bar at 6 bar	Elastic holding torque Pn = 4 bar at 4 bar	Mass max.	Air requirement per stroke max.
Unit	[mm]	[mm]	[mm]	[mm]	[mm]	[mm]	[mm]	Quantity	[mm]	[°]	[°]	[Nm]	[Nm]	[kg]	[mL]
Tolerance	-0.04/-0.055	+0.01/+0.03	± 0.1		+0.4										
Roundness	0.015	0.015													
Surface finish	R _a 0.8 μm	R _a 0.8 μm													
RCO 195 NA	195	195	87	70	22	44.5	44.5	10xM8	5.5	36	36	460	330	3.1	60
RCO 255 NA	255	255	147	130	22	44.5	44.5	16xM8	5.5	22.5	22.5	1080	760	4.5	80
RCO 315 NA	315	315	207	190	22	104.5	104.5	18XM8	5.5	20	20	1880	1320	6.1	100
RCO 385 NA	385	385	277	260	22	139.5	139.5	24xM8	5.5	15	15	3100	2300	7	120

When ordering, please specify »4 bar« or »6 bar« and »with or without booster«. Technical data applies to RotoClamp Outside N Active.
Holding torque for tandem version: Values factor 1.8. Subject to changes and errors, the respective written order confirmation applies.

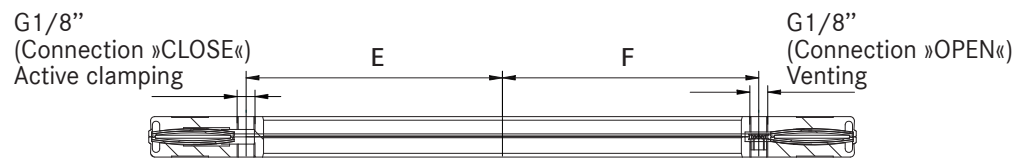
ROTOCLAMP OUTSIDE N ACTIVE



Profile B-B



Profile A-A



Profile C-C

