

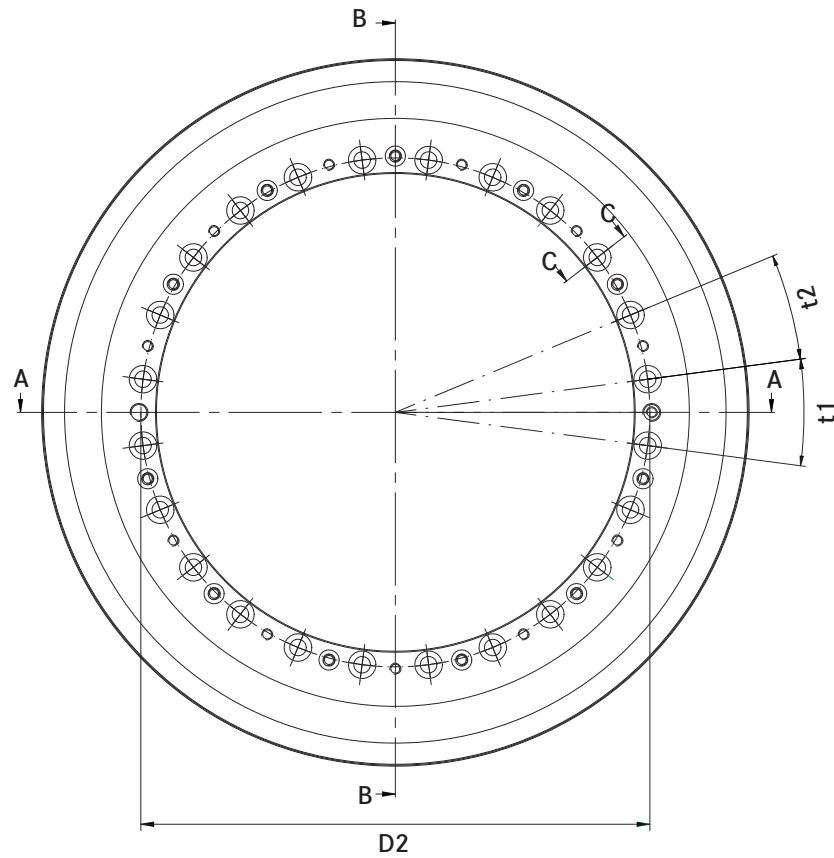
ROTOCLAMP OUTSIDE N STANDARD



Size	D1 opened rated pressure Pn = 4 bar oder 6 bar	Required shaft diameter	D2	D3	B	E	F	n Number of fixing screws	a	t1	t2	Elastic holding torque Pn = 0 bar at 6 bar	Elastic holding torque Pn = 6 bar Booster at 6 bar	Elastic holding torque Pn = 0 bar at 4 bar	Elastic holding torque Pn = 4 bar Booster at 4 bar	Mass max.	Air requirement per stroke max.
Unit	[mm]	[mm]	[mm]	[mm]	[mm]	[mm]	[mm]	Quantity	[mm]	[°]	[°]	[Nm]	[Nm]	[Nm]	[Nm]	[kg]	[mL]
Tolerance	-0.045/-0.065	+0.01/+0.03	± 0.1		+0.4												
Roundness	0.015	0,015															
Surface finish	R _a 0.8 μm	R _a 0.8 μm															
RCO 195 N	195	195	87	70	22	44.4	44.5	10xM8	5,5	36	36	456	819	328	573	3.1	60
RCO 255 N	255	255	147	130	22	74.5	74.5	16xM8	5,5	22.5	22.5	1080	1944	756	1351	4.5	80
RCO 315 N	315	315	207	190	22	104.5	104.5	18xM8	5,5	20	20	1887	3468	1321	2428	6.1	100
RCO 385 N	385	385	277	260	22	139.5	139.5	24xM8	5,5	15	15	3100	5500	2100	3800	7	120

When ordering, please specify »4 bar« or »6 bar« and »with or without booster«. Technical data applies to RotoClamp Outside N Standard.
Holding torque for tandem version: Values factor 1.8. Subject to changes and errors, the respective written order confirmation applies.

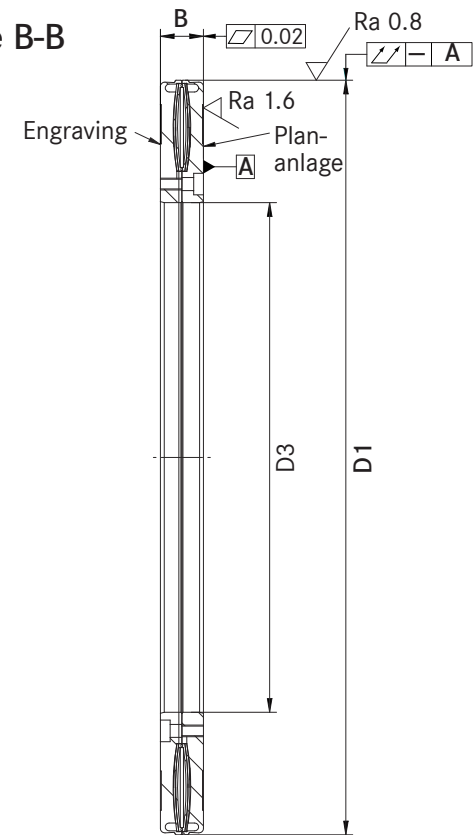
ROTOCLAMP OUTSIDE N STANDARD



Profile A-A



Profile B-B



Profile C-C

