

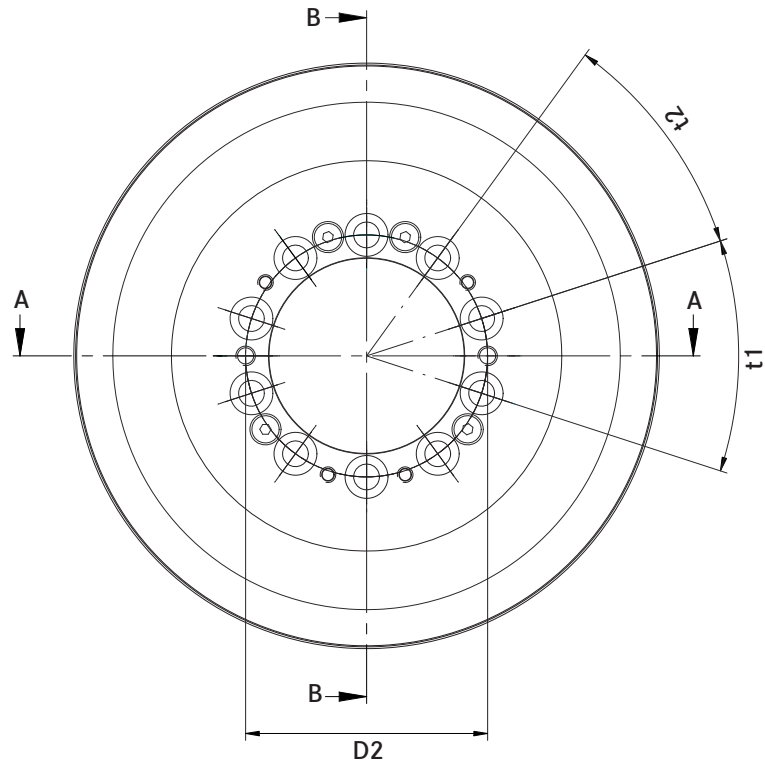
ROTOCLAMP OUTSIDE S ACTIVE



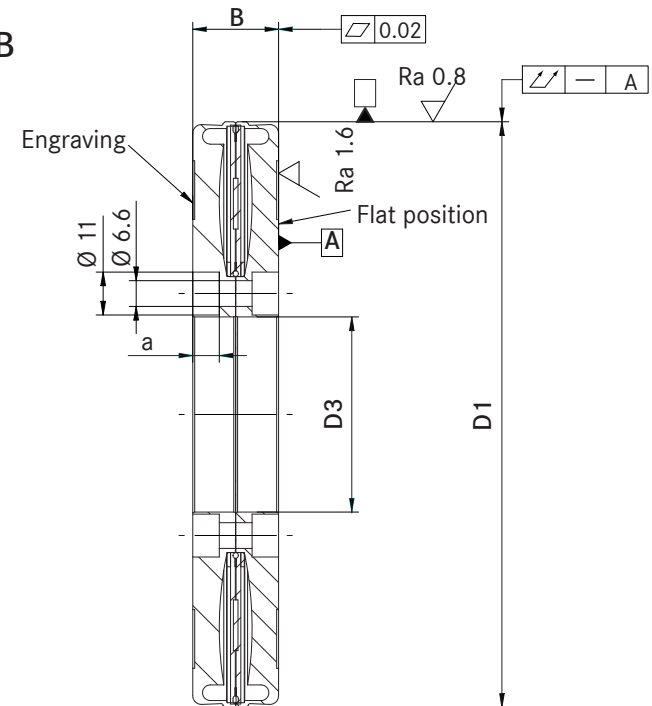
Size	D1 opened rated pressure Pn = 0 bar	Required shaft diameter	D2	D3	B	E	F	n Number of fixing screws	a	t1	t2	Elastic holding torque Pn = 6 bar at 6 bar	Elastic holding torque Pn = 4 bar at 4 bar	Mass max.	Air requirement per stroke max.
Unit	[mm]	[mm]	[mm]	[mm]	[mm]	[mm]	[mm]	Quantity	[mm]	[°]	[°]	[Nm]	[Nm]	[kg]	[mL]
Tolerance	-0.035/-0.05	+0.01/+0.025	± 0.1		+0.4										
Roundness	0.01	0.01													
Surface finish	R _a 0.8 μm	R _a 0.8 μm													
RCO 150 SA	150	150	42	50	22	31	31	10xM6	6.8	36	36	250	170	2	20
RCO 170 SA	170	170	82	70	22	41	41	12xM6	6.8	30	30	360	250	2.2	20

When ordering, please specify »4 bar« or »6 bar« and »with or without booster«. Technical data applies to RotoClamp Outside S Active.
Holding torque for tandem version: Values factor 1.8. Subject to changes and errors, the respective written order confirmation applies.

ROTOCLAMP OUTSIDE S ACTIVE



Profile B-B



Profile A-A

