

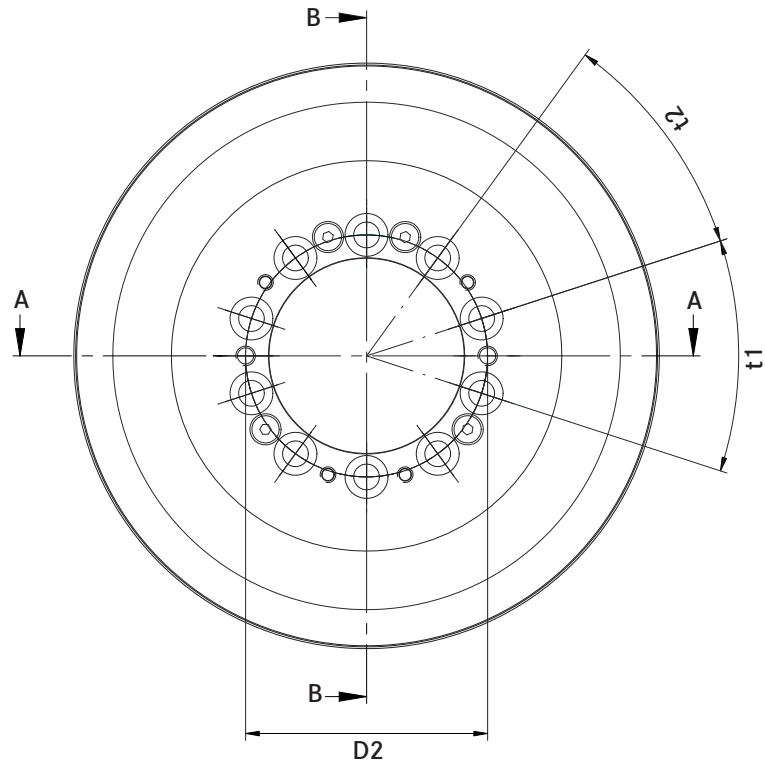
ROTOCLAMP OUTSIDE S STANDARD



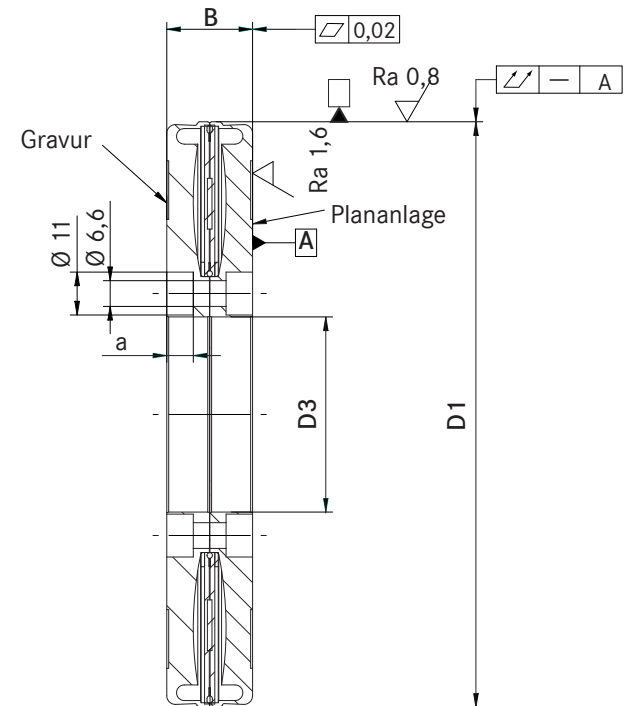
Size	D1 opened rated pressure Pn = 4 bar or 6 bar	Required shaft diameter	D2	D3	B	E	F	n Number of fixing screws	a	t1	t2	Elastic holding torque Pn = 6 bar at 0 bar	Elastic holding torque Pn = 6 bar Booster at 6 bar	Elastic holding torque Pn = 4 bar at 0 bar	Elastic holding torque Pn = 4 bar Booster at 4 bar	Mass max.	Air requirement per stroke max.
Unit	[mm]	[mm]	[mm]	[mm]	[mm]	[mm]	[mm]	Quantity	[mm]	[°]	[°]	[Nm]	[Nm]	[Nm]	[Nm]	[kg]	[mL]
Tolerance	-0.035/-0.05	+0.01/+0.025	± 0.1		+0.4												
Roundness	0.01	0.01															
Surface finish	R _a 0.8 μm	R _a 0.8 μm															
RCO 150 S	150	150	62	50	22	31	31	10xM6	6,8	36	36	250	460	170	320	2	20
RCO 170 S	170	170	82	20	22	41	41	12xM6	6,8	30	30	359	650	250	454	2.2	20

When ordering, please specify »4 bar« or »6 bar« and »with or without booster«. Technical data applies to RotoClamp Outside S Active.
Holding torque for tandem version: Values factor 1.8. Subject to changes and errors, the respective written order confirmation applies.

ROTOCLAMP OUTSIDE S STANDARD



Schnitt B-B



Schnitt A-A

