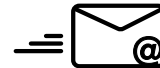


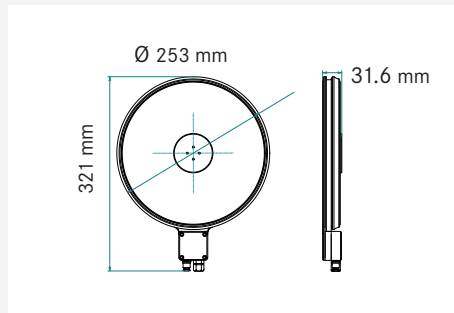
**Customer Number**   
(If customer)

 Please return to:  
**info@hema-group.com**

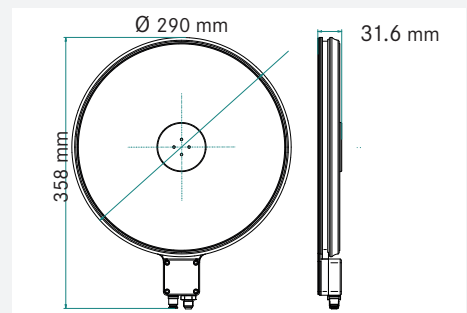
**Contact**

Company:   
 Address:   
 Postcode, City, Country:   
 Contact:   
 Phone:   
 E-Mail:

**Type**



SPINVISTA EVO



SPINVISTA NEO

**Installation**

- First installation of a spin windows
- Exchange/replacement installation of a spin window, model

**Connection**

- M12 plug connection, including pneumatic connection \*
  - M12 x 1.5 cable gland, including pneumatic connection \*
  - G1/4" pipe screw connection, including pneumatic connection \*
- \* Note: The connection of compressed air is not absolutely necessary, the accesses can also be closed with blind plugs

**Mounting on safety window**

- Direct screw connection
- Adhesive version
- Adhesive version including mounting plate (easy maintenance)

**Optional**

- Matching fittings
- Control box for switching on / off during machine operation

**Connection Equipment**

- Flexible hose including cabling for connection G1/4"
  - Hose length:
  - 1.0 m    2.0 m    3.0 m    5.0 m    6.5 m    8.0 m    10.0 m
- Connection set for plug connection M12
  - Hose length:
  - 1.0 m    2.0 m    3.0 m    5.0 m    6.5 m    8.0 m    10.0 m

**Other**

- Machine safety window, please use the separate form for inquiries
-